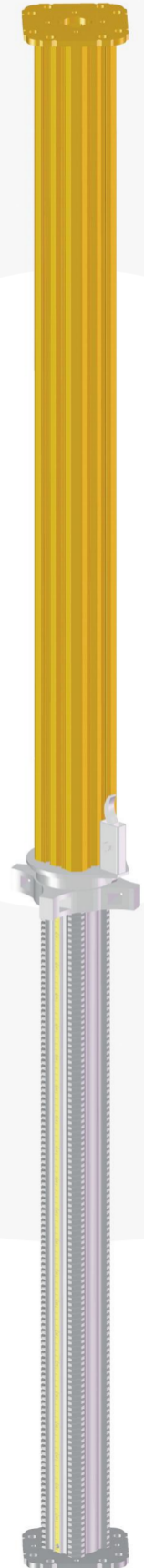
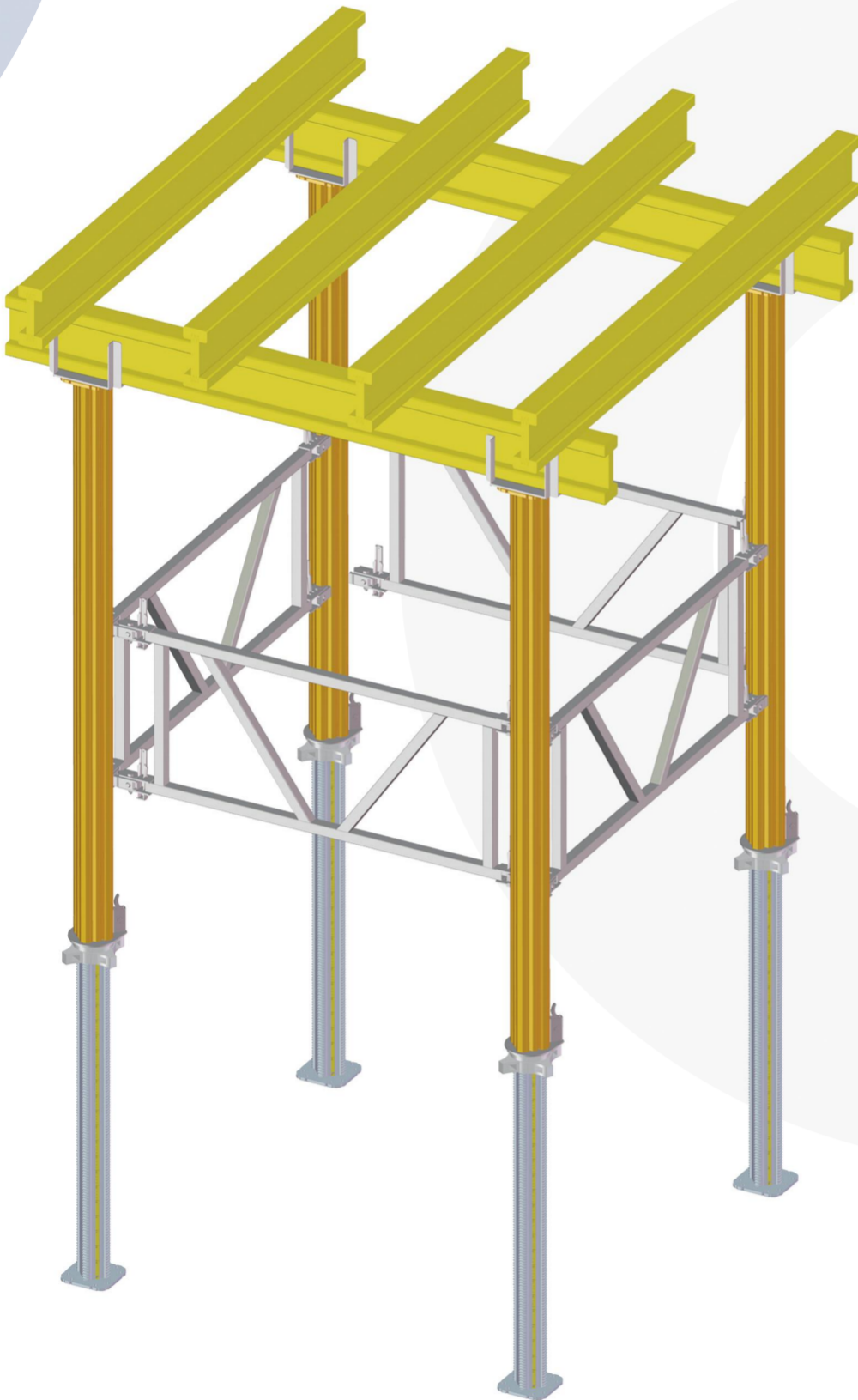




Aluminium props

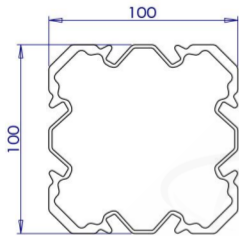
For strong load support



TER ALX

TER ALX EN-16031

Detail outer tube



Detail inner tube

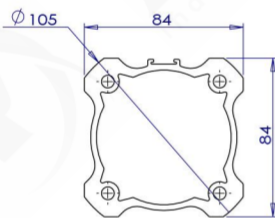
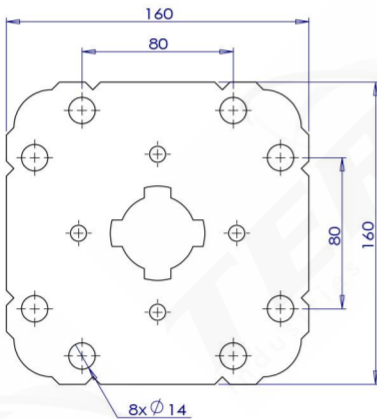
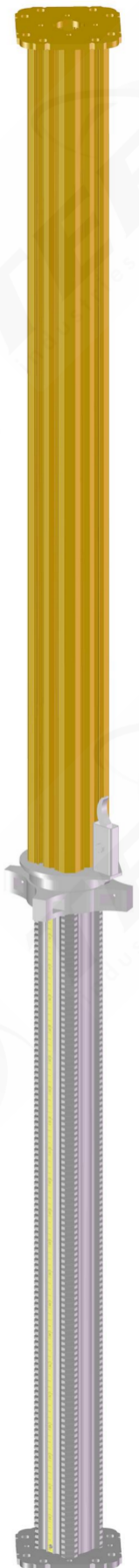
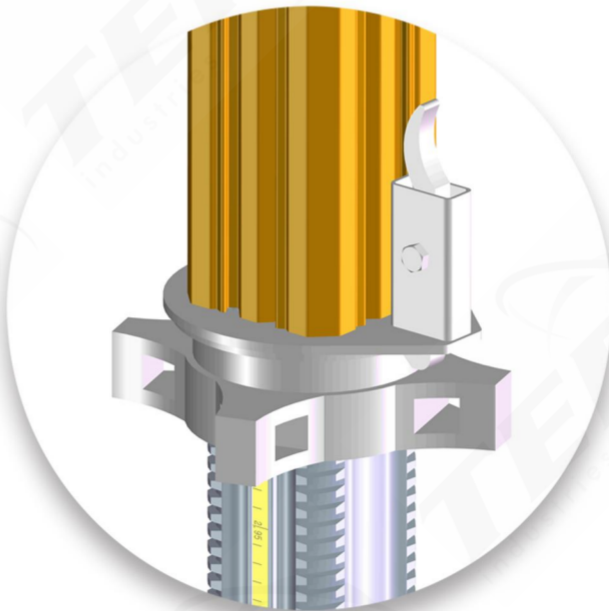


Plate 10mm



PAINTED	ENGINEERING DATA
<i>TERALX250</i>	- h closed 1.45 m - h open 2.50 m - weight 16.40 kg
<i>TERALX350</i>	- h closed 1.95 m - h open 3.50 m - weight 20.40 kg
<i>TERALX480</i>	- h closed 2.68 m - h open 4.80 m - weight 25.80 kg
<i>TERALX625</i>	- h closed 4.30 m - h open 6.25 m - weight 31.30 kg
<i>Colour on request</i>	Packing 49 pcs











Aluminium props are compliant with the EN 16031 standard pertaining to adjustable telescopic aluminium props.

The very high mechanical strength of the aluminium props allows a high loading capacity.

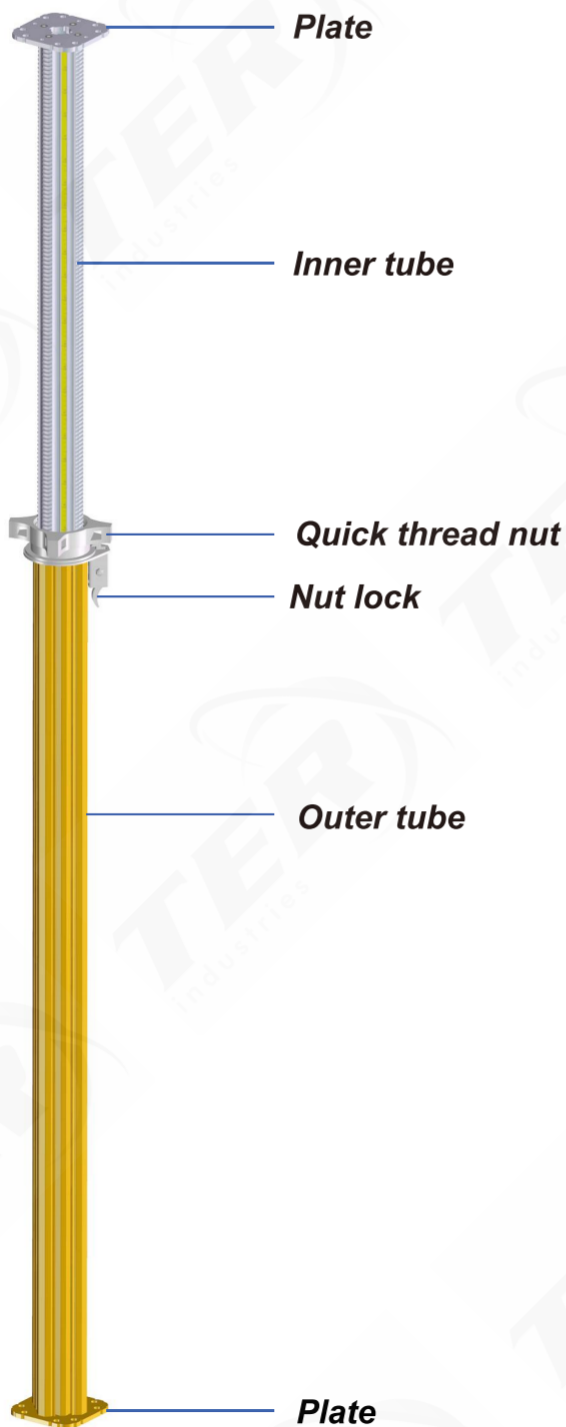
Our aluminium slab props are compatible with PERI's MULTIPROP Aluminium Slab Props, ensuring exceptional performance and reliability.

WORKING LOAD EN-16031

	TER ALX				Aluminium prop EN 16031:2012			
Code	TERALX250 L = 2.5 - 1.45 m		TERALX350 L = 3.5 - 1.95 m		TERALX480 L = 4.8 - 2.68 m		TERALX625 L = 6.25 - 4.3 m	
Class	T		R		D		D	
Weight	16.40 kg		20.40 kg		25.80 kg		31.30 kg	
Extended Length (m)								
1.45	73kN	76kN						
1.50	73kN	76kN						
1.70	73kN	76kN						
1.95	67kN	76kN	88kN	87kN				
2.10	64kN	75kN	83kN	87kN				
2.30	61kN	70kN	73kN	86kN				
2.50	60kN	64kN	64kN	83kN				
2.70			59kN	78kN	86kN	71kN		
2.90			56kN	72kN	72kN	70kN		
3.10			53kN	65kN	63kN	69kN		
3.30			50kN	55kN	55kN	68kN		
3.50			43kN	45kN	50kN	64kN		
3.70					46kN	58kN		
3.90					42kN	50kN		
4.10					38kN	44kN		
4.30					35kN	38kN	56kN	44kN
4.50					31kN	34kN	53kN	44kN
4.70					27kN	29kN	49kN	43kN
4.80					25kN	27kN	46kN	42kN
5.00							41kN	40kN
5.20							36kN	37kN
5.40							32kN	34kN
5.60							28kN	31kN
5.80							25kN	28kN
6.00							23kN	25kN
6.20							21kN	23kN
6.25							20kN	22kN
Description								
<ul style="list-style-type: none"> ● High-load props ● Light weight ● Can be used for casting or drying ● Threading to any height self-cleaning ● Captive slide ● Customisable to suit client's colours ● Plate 160 x 160 					<ul style="list-style-type: none"> ● Possibility of extending the outer tube ● Customisable to suit client's colours ● Quality epoxy paint for easy maintenance ● Long working life ● Certification by an independent laboratory according to the EN 16031 standard - Classes D to U 			

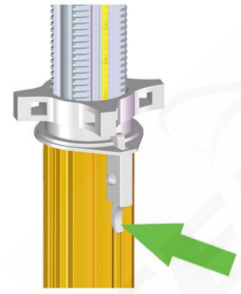
Working principle

Manufacturing Standards EN 16031

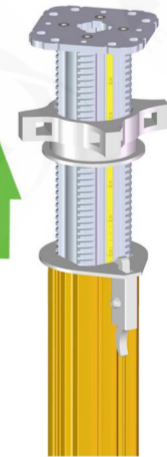


With one hand, press on the lock.

With the other hand, pipe the nut to release it.



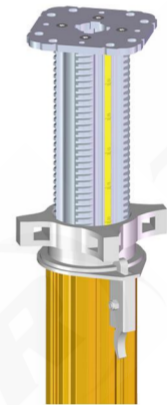
Position the inner tube to its final adjustment.



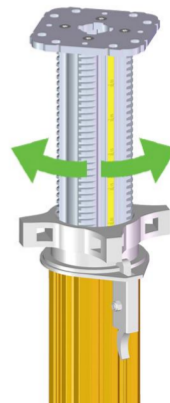
Unscrew the nut to bring it into contact with the outer tube.

Release the inner tube

The nut automatically locks on the outer tube.

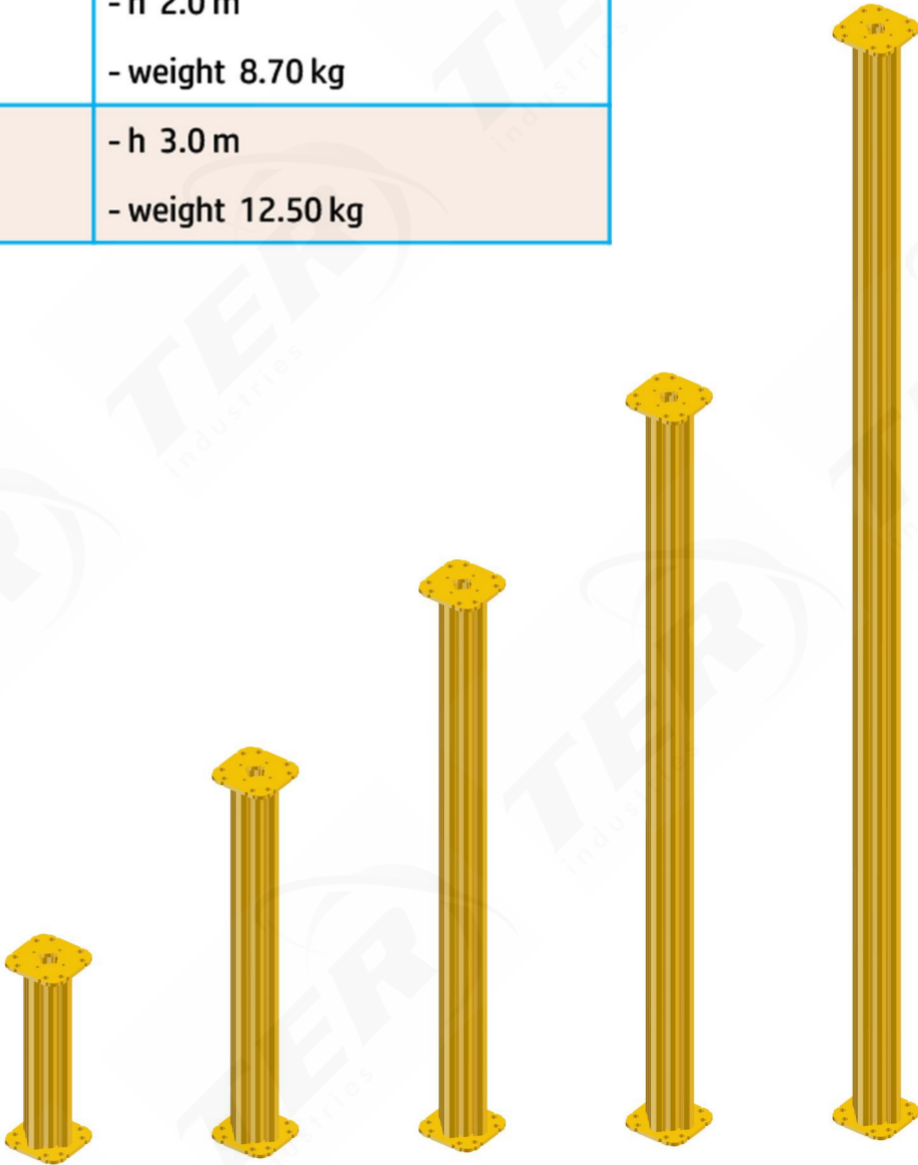


Make the final adjustment with the nut.



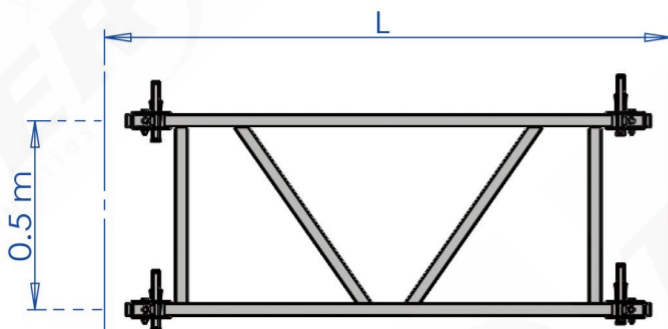
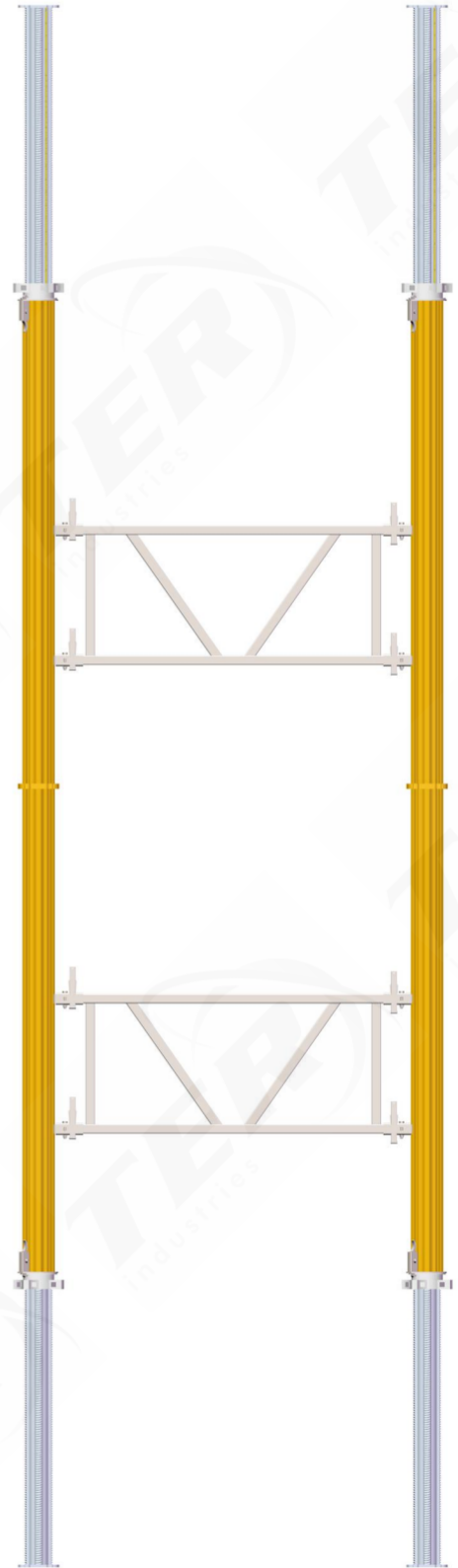
TER ALXR EXTENSION

PAINTED	ENGINEERING DATA
<i>TERALXR500</i>	- h 0.5 m - weight 3.00 kg
<i>TERALXR1000</i>	- h 1.0 m - weight 4.90 kg
<i>TERALXR1500</i>	- h 1.5 m - weight 6.80 kg
<i>TERALXR2000</i>	- h 2.0 m - weight 8.70 kg
<i>TERALXR3000</i>	- h 3.0 m - weight 12.50 kg

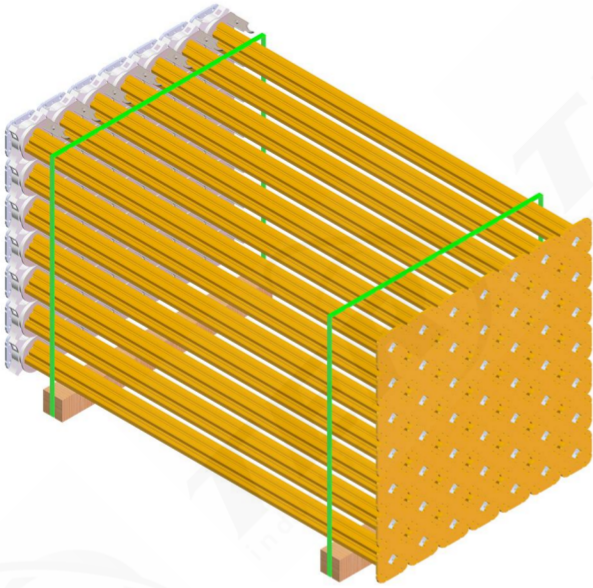


STEEL FRAMES

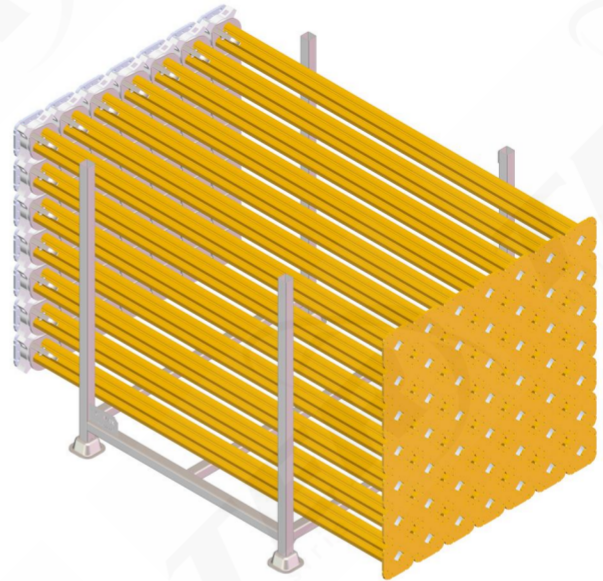
Code	ENGINEERING DATA
<i>TERSF750</i>	<ul style="list-style-type: none"> - L= 0.75 m - weight 8.30 kg - galvanized - packing 40 pcs
<i>TERSF1000</i>	<ul style="list-style-type: none"> - L= 1.00 m - weight 10.40 kg - galvanized - packing 40 pcs
<i>TERSF1500</i>	<ul style="list-style-type: none"> - L= 1.50 m - weight 13.60 kg - galvanized - packing 20 pcs
<i>TERSF2000</i>	<ul style="list-style-type: none"> - L= 2.00 m - weight 16.70 kg - galvanized - packing 20 pcs
<i>TERSF2500</i>	<ul style="list-style-type: none"> - L= 2.50 m - weight 19.90 kg - galvanized - packing 20 pcs
<i>TERSF3000</i>	<ul style="list-style-type: none"> - L= 3.00 m - weight 23.00 kg - galvanized - packing 20 pcs



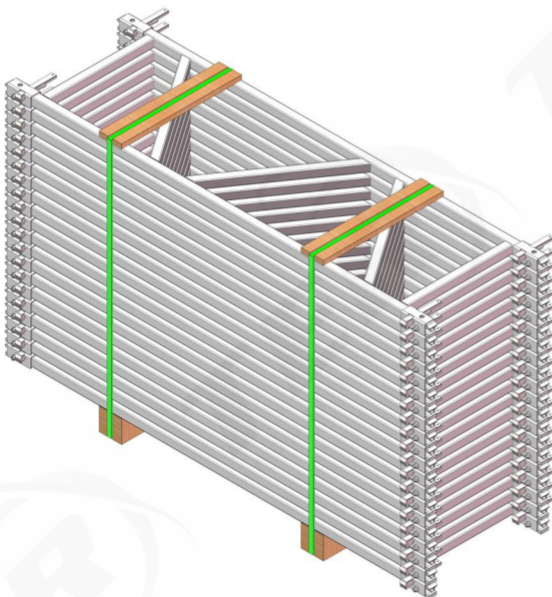
Package



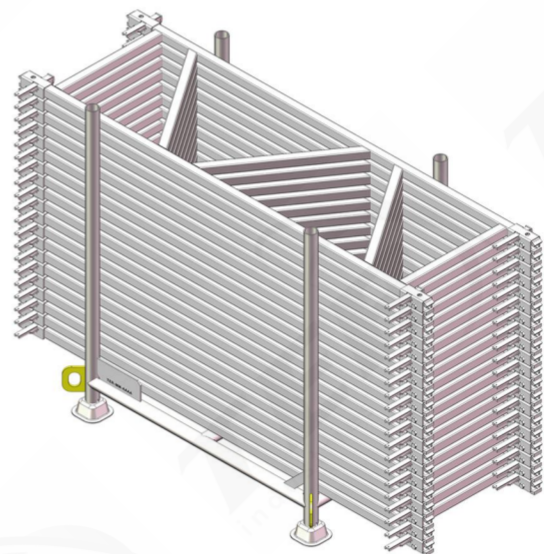
STANDARD PACKING
Qt: 49 pcs



BASKET PACKING
Qt: 49 pcs



STANDARD PACKING
Qt: 20 pcs



BASKET PACKING
Qt: 20 pcs



Add: 151 Xiaokang Road, Dongchen Town,
Rugao City Jiangsu Province CHINA

TEL: +86 19555080700

E-mail: info@ter-industries.com

www.ter-industries.com

